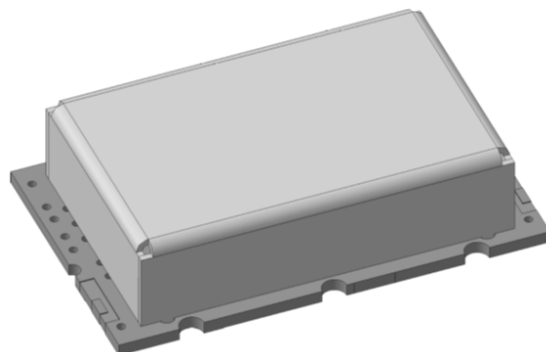


General Description

MCS-C3-96-7.7-SMT is a radio frequency microstrip bandpass filter, designed for a wide range of RF / Microwave applications. It contains a low insertion loss and high out of band suppression.



Key Features

- Low insertion loss
- High out of band suppression
- Low cost

Specification (at 25°C)

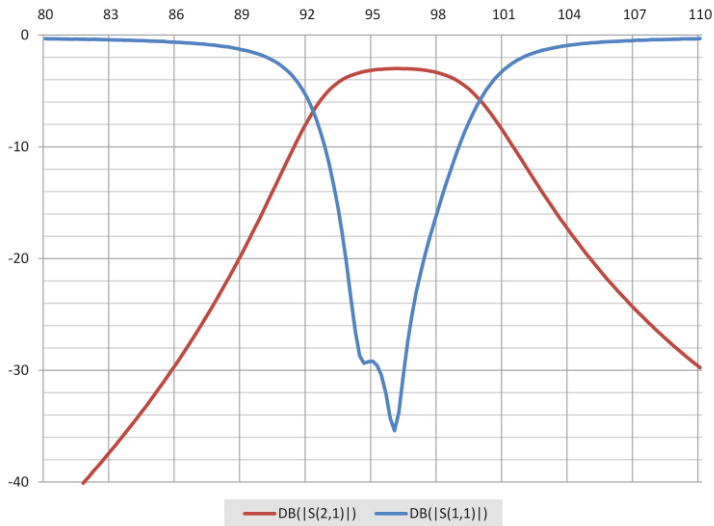
Parameter	Sym.	Min.	Typ.	Max.	Unit
Center frequency*	f_c		96		MHz
Bandwidth @ -3 dB*	Δf		8 7.7		% MHz
Bandwidth @ -40 dB*	Δf_r		38		MHz
Insertion loss			3.5		dB
VSWR				1.5	
Power input	P			2	W
Wave impedance	Z		50 Ω		
*- parameter can be changed according to customer requirements					

Temperature range

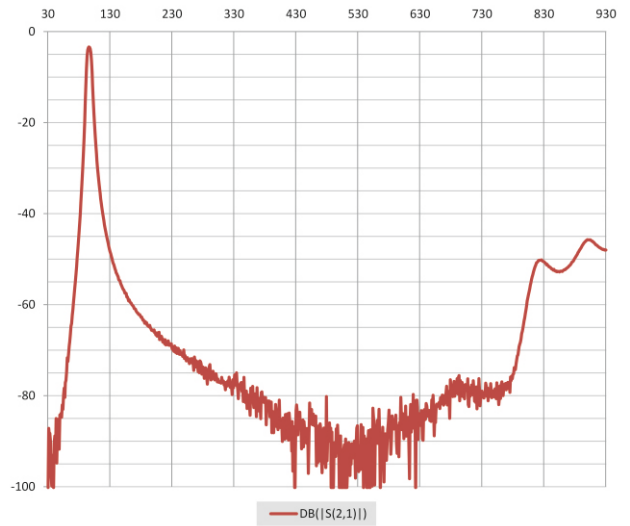
Parameter	Min.	Max.	Unit
Operation Temperature	-65	+85	°C
Storage Temperature	-70	+105	°C

S – Parameters

In-Band Response (80 – 110 MHz)



Out-Band Response (30 – 930 MHz)



Physical dimensions

