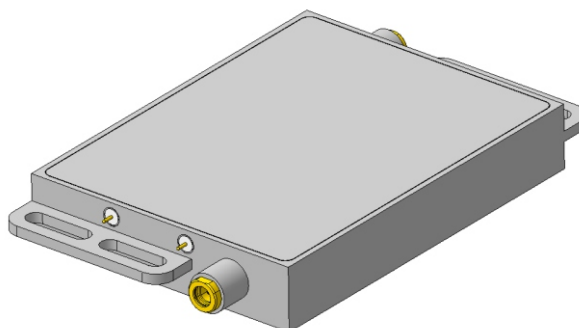


General Description

MCS-VRF3-M5-1826 is Tunable TripleReject Filter Module. It comprises three independently controlled combination reject filter. It guarantees low insertion loss and high reject suppression. Modified 3 dB and 20 dB bandwidths are available on special order. These filters are well suited for broadband receivers and a variety of EW system applications.



Specification (at 25°C)

Parameter	Sym.	Min.	Typ.	Max.	Unit
Passband range/Frequency range*	F	1800		2600	MHz
Passband Insertion loss	S_{21}		2		dB
Passband VSWR	S_{11}/S_{22}			1.5:1	
Reject bandwidth @ -3 dB*	Δf_{-3db}			125	MHz
Reject bandwidth @ -20 dB*	Δf_{-20db}	20			MHz
Input power	P			+20	dBm
Wave impedance	Z		50		Ohms
Reference Input Voltage		0 ... +27 V**			
* - parameter can be changed according to customer requirements					
** - 0 V corresponds to no notch in the pass band					

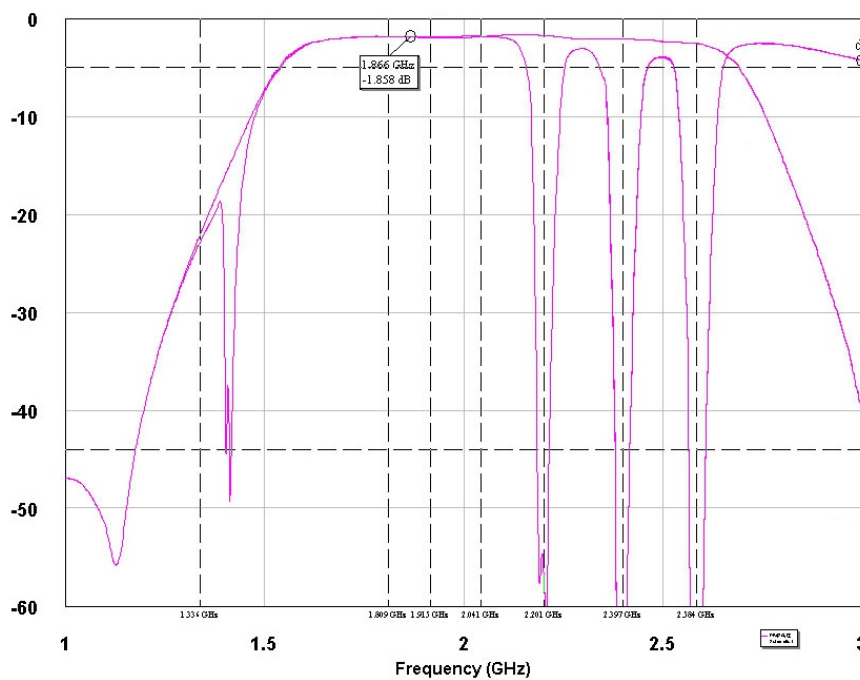
Temperature range

Parameter	Min.	Max.	Unit
Operation Temperature	-40	+65	°C
Storage Temperature	-60	+85	°C

Connectors

#	Description
J1	RF IN
J2	RF OUT
E1	Control Voltage 1
E2	GROUND
E3	Control Voltage 2
E4	Control Voltage 3

S – Parameters



Physical dimensions

