

General Description

The MCS-PRX-2000 ultra-low noise detector module. It's designed for analog application with 50Ω impedance.

It's contains an InGaAs PIN photodiode and necessary matching circuits. Module is available in fiber pigtailed co-axial packages (-P) or in connector style receptacle packages (-C).



Application

- Analog RF Links
- CATV Systems
- Reference Signals Receiving

Specificatoin (T=25°C)

	Sym.	Min.	Typ.	Max.	Unit
Voltage Supply	V _{CC}	4.5	5	6	V
Current Supply	I _{CC}	0.08	0.1	0.12	A
Optical Input Power	P _{OUT}			5	mW
Wavelength Range	λ _c	1280		1620	nm
Photodiode Responsivity @ 1550nm	R _p	0.8		0.95	A/W
Bandwidth (*)	Δf	10		2000 (**)	MHz
Electrical Return Loss	S ₂₂			-18	dB
Optical Return Loss	ORL	-32		-36	dB
Operating Temperature (type)	T				°C
- A		0		+40	
- C		-20		+55	
- D		-40		+65	

(*) Specification of frequency bandwidth allows improving RF receiving parameters (**) @-3dB

Absolute maximum parameters

	Sym.	Value	Unit
Voltage Supply	V _{CC}	6.5	V
Storage Temperature	T _s	-60 to +85	°C

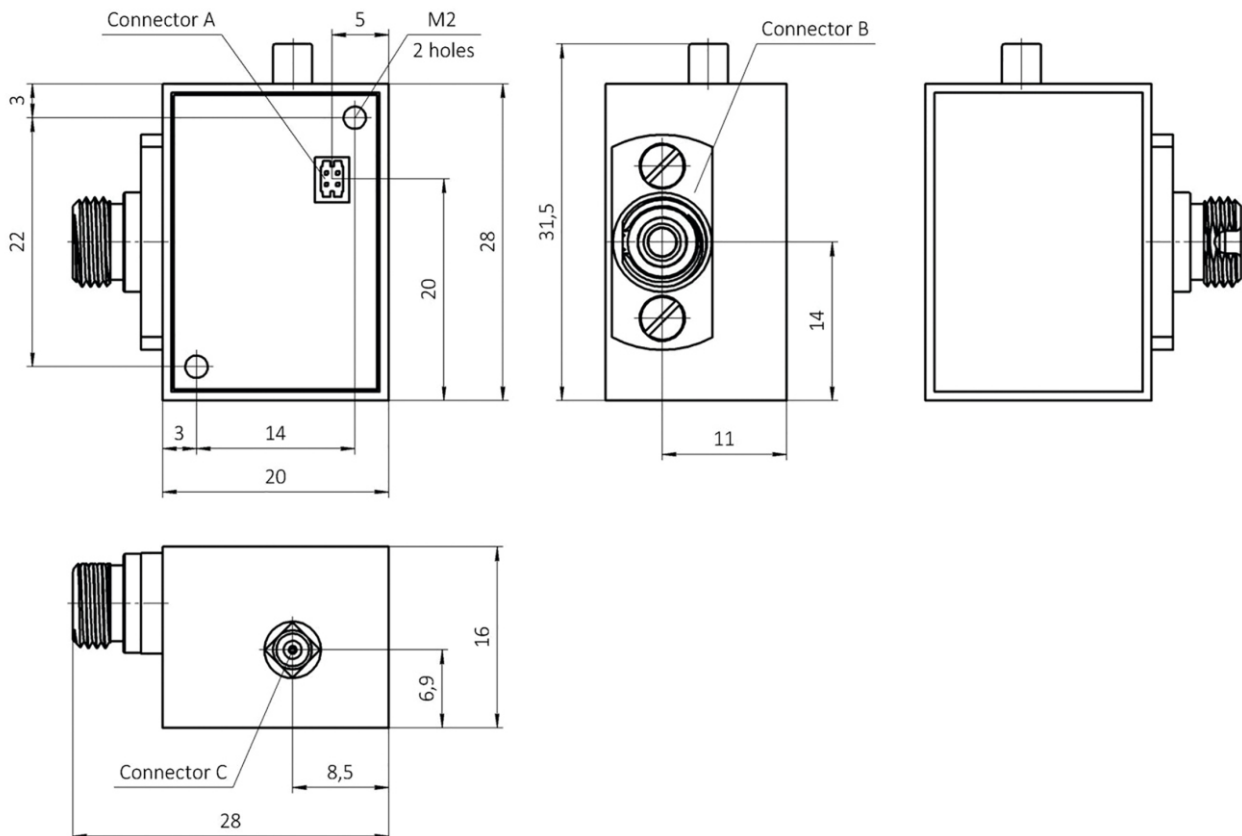
Connectors

#	Description
A	MW-02-03 (male) - power supply
B	Optical input
C	MMCX (female) - RF Output

Connector A

Function	I / O	Pin Number	Note
V _{CC}	I	2, 3	Power Supply
GND	I	1, 4	-

Physical dimensions:



NOTE: All dimensions are given in mm and are maximum unless otherwise specified.